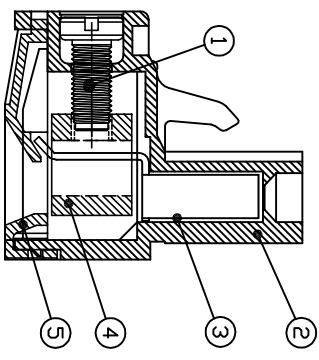
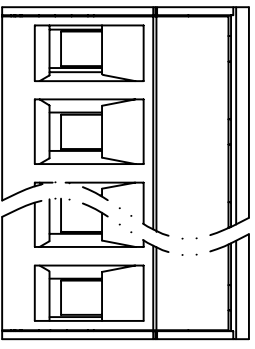
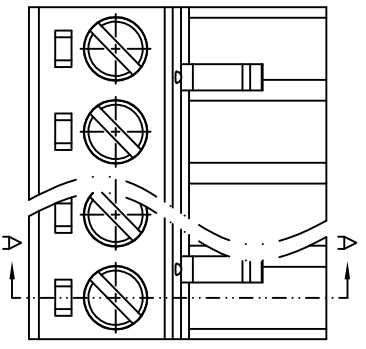
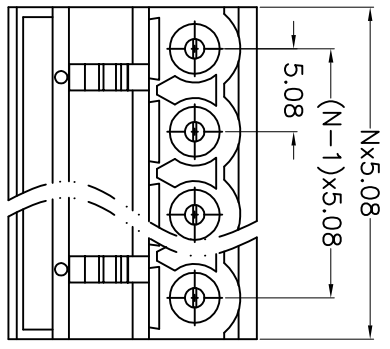
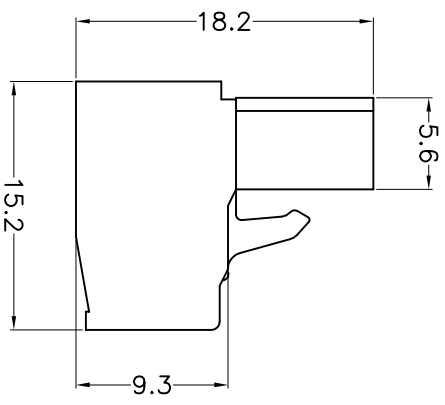
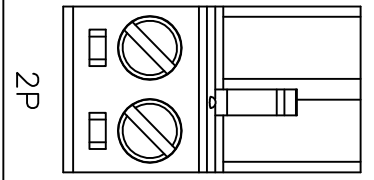


REV.	DESCRIPTION	DATE	DRAFTER	APPROVER
V1.0	DWG.REL	2024.9.22	ZHANG	JIN



SECTION A-A

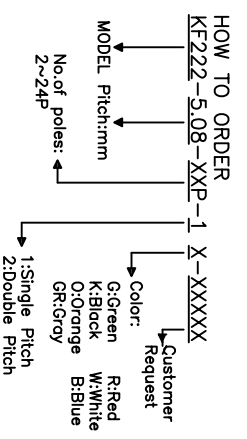
- Material
 - ØScrew : M3.0 steel, Zinc plated, *- slot type
 - ØHousing : PA66, UL94V-0
 - ØContact : Copper alloy, Tin plated
 - ØClamp : Copper alloy, Ni plated
 - ØCover : PA66, UL94V-0

- Electrical

Rated voltage :	300V	IEC	320V
Rated current :	15A	UL	20A
Contact resistance :	20mΩ(Max)		
Insulation resistance :	500MΩ/DC500V		
Withstanding Voltage :	AC2000V/1min		
Wire range :	28-12AWG		2.5mm ²

- Mechanical
 - Operating temperature: -40°C ~ +105°C
 - Soldering temperature: 250°C ±5/5sec
 - Torque: 0.5N.m (4.43Lb.in)
 - Strip length: 7mm

• Conform to REACH and RoHS



Pitch range	Nominal dimension range	PROJECTION
>0	>0	0.1/10
~6	~30	□
~10	~60	□
~24	~100	□
±0.15	±0.30	□
	±0.50	□
	±0.70	□
	±1.00	□
	±1.30	□
		±2°

DRAWING TYPE	CUSTOMER DRAWING	SHEET SIZE	TITLE
SCALE	1:1	A4	KF222-5.08-XXP-1X
DRAWING NO.	W10001572		

DF 慈溪市凯峰电子有限公司
CIXI KAIFENG ELECTRONICS CO.,LTD