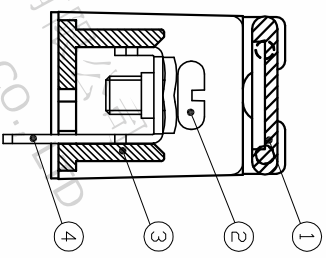
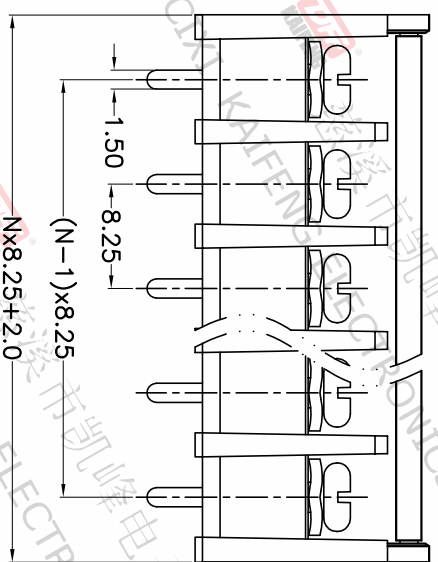
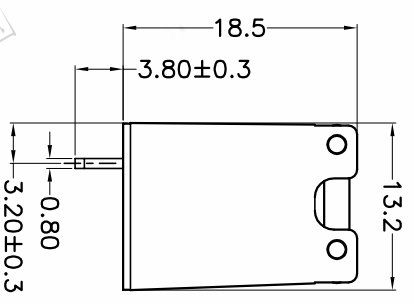
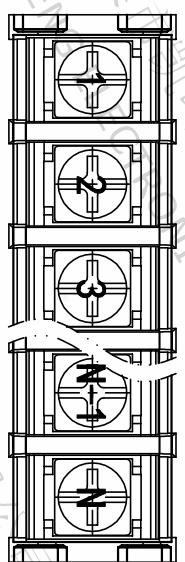


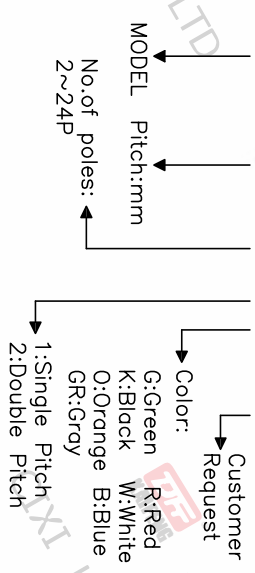
REV.	DESCRIPTION	DATE	DRAFTER	APPROVER
A1	DWG.REL	2020.05.20	LiuZH	JIN



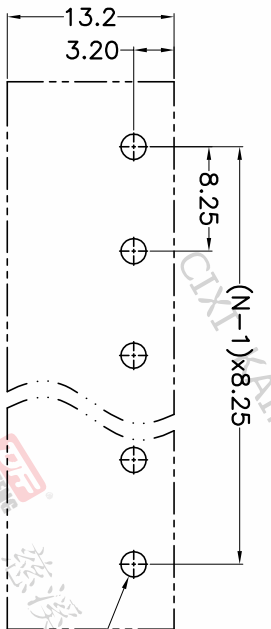
- Material
  - ①Cover : PC
  - ②Screws : M3.0 steel, Ni plated
  - ③Housing : PA66,UL94V-0
  - ④Terminal : Brass, Tin plated
- Electrical
  - UL IEC
  - Rated voltage : 300V 450V
  - Rated current : 20A 24A
  - Contact resistance : 20mΩ(Max)
  - Insulation resistance: 500MΩ/DC500V
  - Withstanding Voltage : AC2000V/1min
  - Wire range: 22-12AWG 2.5mm<sup>2</sup>
- Mechanical
  - Operating temperature: -40°C ~ +105°C
  - Soldering temperature: 250°C ±5 / 5sec
  - Torque: 0.5N.m (4.43lb.in)
- RoHS compliance

HOW TO ORDER

KF-30SM-8.25-XXP-1 X-XXXXX



P.C.B.LAYOUT



Pitch range	Nominal dimension range	□	▢
>0	>0	0.1/10	
~6	~30		≤
~10	~60		±2°
~24	~100		
~30	~150		
±0.15	±0.30	±0.50	±1.00 ±1.30

DRAWING TYPE	CUSTOMER DRAWING
SCALE	1:1
SHEET	1 OF 1
DRAWING NO.	W12000642

PROJECTION	UNIT	TITLE
UNIT	mm	KF-30SM-8.25-XXP-1X
SHEET SIZE	A4	SERIES KF-30SM

**DF** 慈溪市凯峰电子有限公司  
CIXI KAIFENG ELECTRONICS CO.,LTD