

REV.	DESCRIPTION	DATE	DRAFTER	APPROVER
A1	DWG.REL	2020.05.25	DENG	JIN

- Material
 - Button : PA66, UL94V-0
 - Cover : PA66, UL94V-0
 - Housing : PA66, UL94V-0
 - Reed : Stainless steel
 - Pin header : Copper alloy, Tin plated

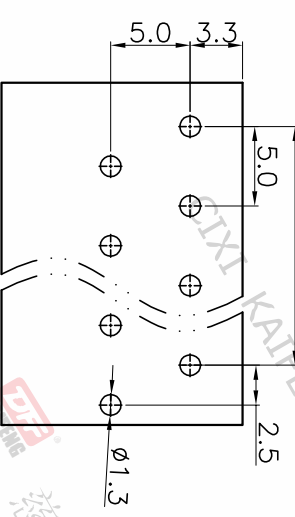
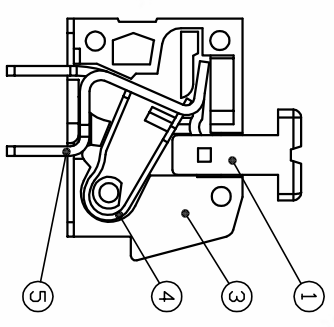
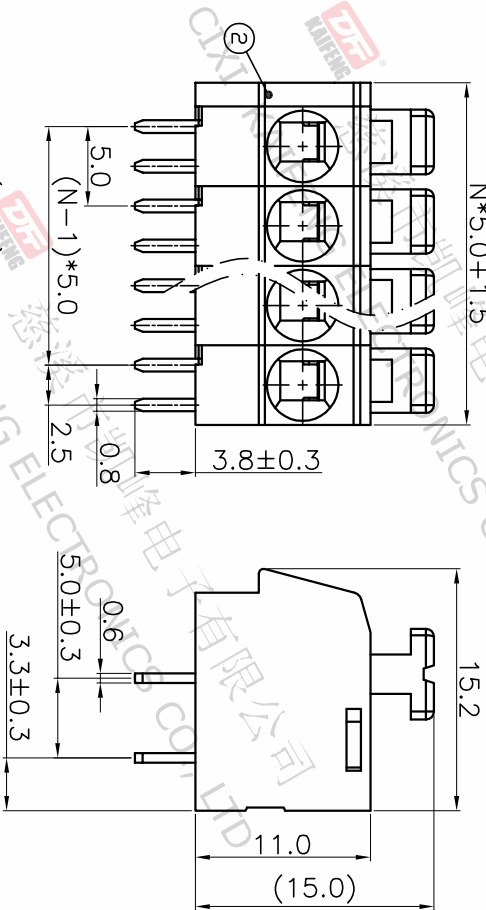
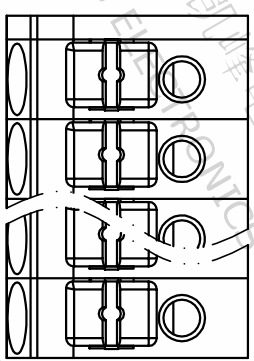
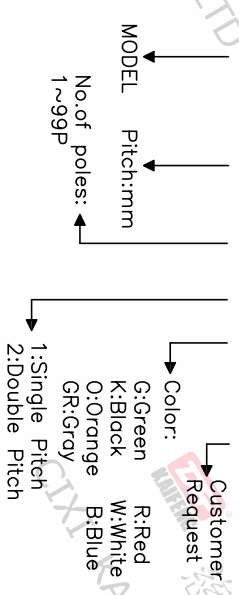
- Electrical
 - UL IEC
 - Rated voltage : 300V 250V
 - Rated current : 15A 16A
 - Contact resistance : 20mΩ(Max)
 - Insulation resistance: 500MΩ/DC500V
 - Withstanding Voltage : AC2000V/1min
 - Wire range: 24-14AWG 0.2-2.5mm²

- Mechanical
 - Operating temperature: -40°C ~ +105°C
 - Soldering temperature: 250°C ± 5/5sec
 - Strip length: 8-9mm

• RoHS compliance

HOW TO ORDER

KF270-5.0-XXP-1 X-XXXXX



P.C.B. LAYOUT

Pitch range	Nominal dimension range	PROJECTION	UNIT
>0	>0	0.1/10	mm
~6	~30		
~10	~60		
~24	~100		
~30	~150		
±0.15	±0.30	±2°	
±0.20	±0.30		
±0.30	±0.50		
±0.70	±1.00		
±1.30	±1.30		

DFE 慈溪市凯峰电子有限公司
 CIXI KAIFENG ELECTRONICS CO.,LTD

DRAWING TYPE: CUSTOMER DRAWING
 SCALE: 1:1 SHEET: 1 OF 1
 DRAWING NO.: W11000022

TITLE: KF270-5.0-XXP-1X
 SHEET SIZE: A4
 SERIES: KF270