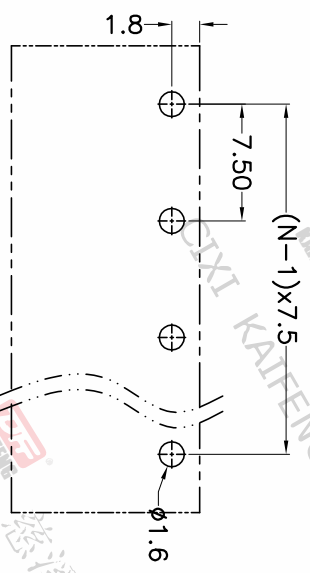
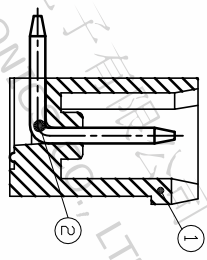
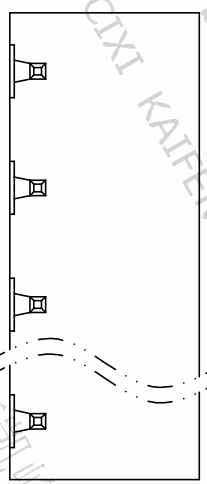
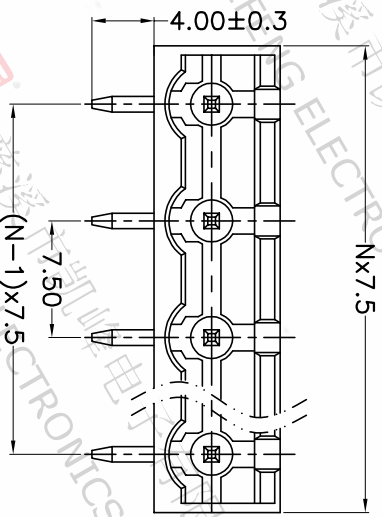
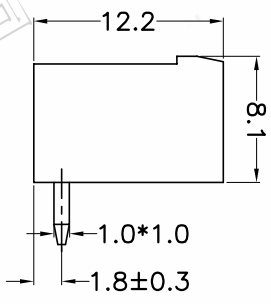


REV.	DESCRIPTION	DATE	DRAFTER	APPROVER
A1	DWG.REL	2020.5.18	ZHANG	JIN

- Material
 @Housing : PA66, UL94V-0
 @Pin header : Copper alloy, Tin plated
- Electrical
 UL IEC
 Rated voltage : 300V 400V
 Rated current : 15A 20A
 Contact resistance : 20mΩ(Max)
 Insulation resistance: 500MΩ/DC500V
 Withstanding Voltage : AC2500V/1min
- Mechanical
 Operating temperature: -40°C ~ +105°C
 Soldering temperature: 250°C ±5 / 5sec
- RoHS compliance

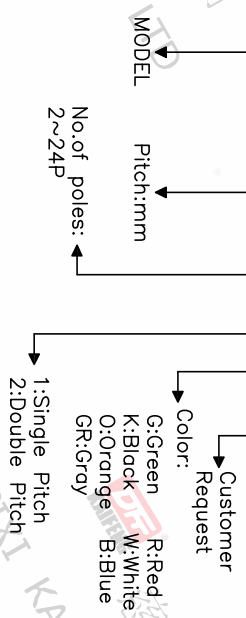


P.C.B.LAYOUT

Pitch range	Nominal dimension range	□	□
>0	>0	0.1/10	
~6	~30		
~10	~60		
~24	~100		
±0.15	±0.30		
	±0.50		
	±0.70		
	±1.00		
	±1.30		
	±2*		

DRAWING TYPE	CUSTOMER DRAWING
SCALE	1:1
SHEET	1 OF 1
DRAWING NO.	W10000112

HOW TO ORDER
 KF2EDGCR-X-7.5-XXP-1 X-XXXXX



PROJECTION	TITLE
UNIT	KF2EDGCR-X-7.5-XXP-1X
SHEET SIZE	A4
SERIES	KF2EDGCR-X

DF 慈溪市凯峰电子有限公司
 CIXI KAIFENG ELECTRONICS CO.,LTD