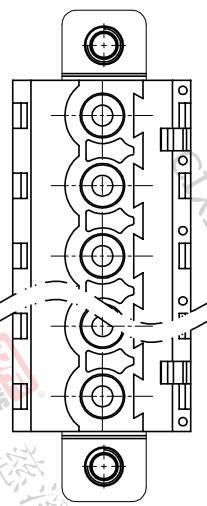
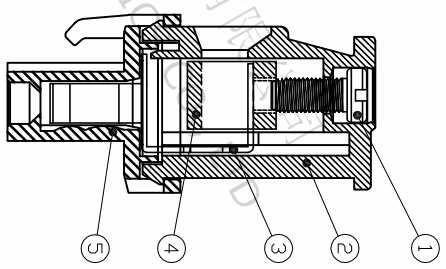
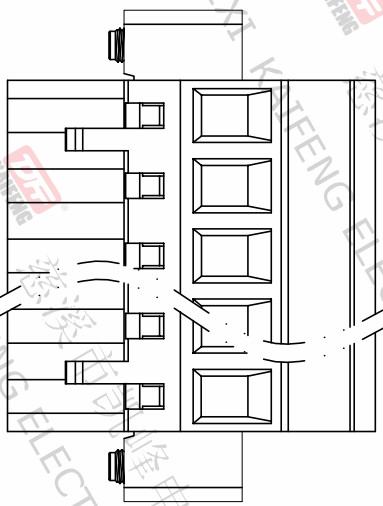
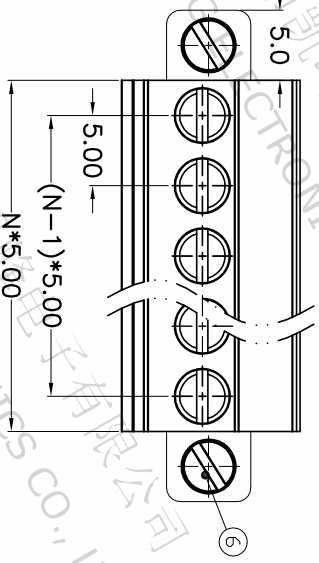
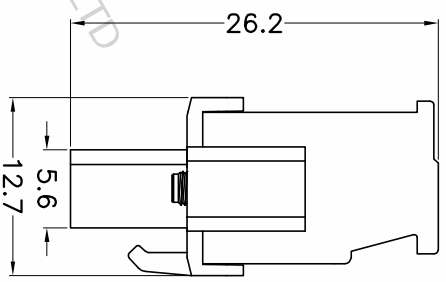


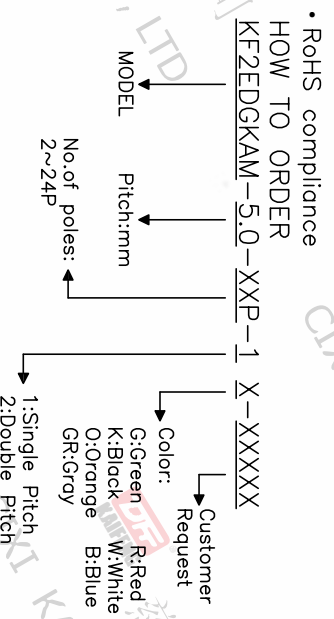
REV.	DESCRIPTION	DATE	DRAFTER	APPROVER
A1	DWG.REL	2020.5.23	ZHANG	JIN

- Material
 - ①Screw :M3.0 steel,Zinc plated, "—" slot type
 - ②Housing : PA66, UL94V-0
 - ③Contact : Copper alloy,Tin plated
 - ④Clamp : Copper alloy, Ni plated
 - ⑤Cover : PA66, UL94V-0
 - ⑥Screw :M2.5 steel,Zinc plated, "—" slot type
- Electrical
 - UL IEC
 - Rated voltage : 300V 320V
 - Rated current : 15A 18A
 - Contact resistance : 20mΩ(Max)
 - Insulation resistance : 500MΩ/DC500V
 - Withstanding Voltage : AC2000V/1min
 - Wire range : 28-12AWG 2.5mm²
- Mechanical
 - Operating temperature: -40℃~+105℃
 - Soldering temperature:250℃±5/5sec
 - Torque: 0.5N.m (4.43Lb.in)
 - Strip length: 7-8mm
- RoHS compliance



Pitch range	Nominal dimension range	Projection
>0	>0	0.1/10
~6	~30	~
~10	~60	<
~24	~100	<
±0.15	±0.30	±2°
±0.20	±0.50	
±0.30	±0.70	
±1.00	±1.30	

DRAWING TYPE	CUSTOMER DRAWING
SCALE	1:1
SHEET	1 OF 1
DRAWING NO.	W10000292
PROJECTION	UNIT
mm	
SHEET SIZE	A4
TITLE	KF2EDGKAM-5.0-XXP-1X
SERIES	KF2EDGKAM



DF 慈溪市凯峰电子有限公司
CIXI KAIFENG ELECTRONICS CO.,LTD

