

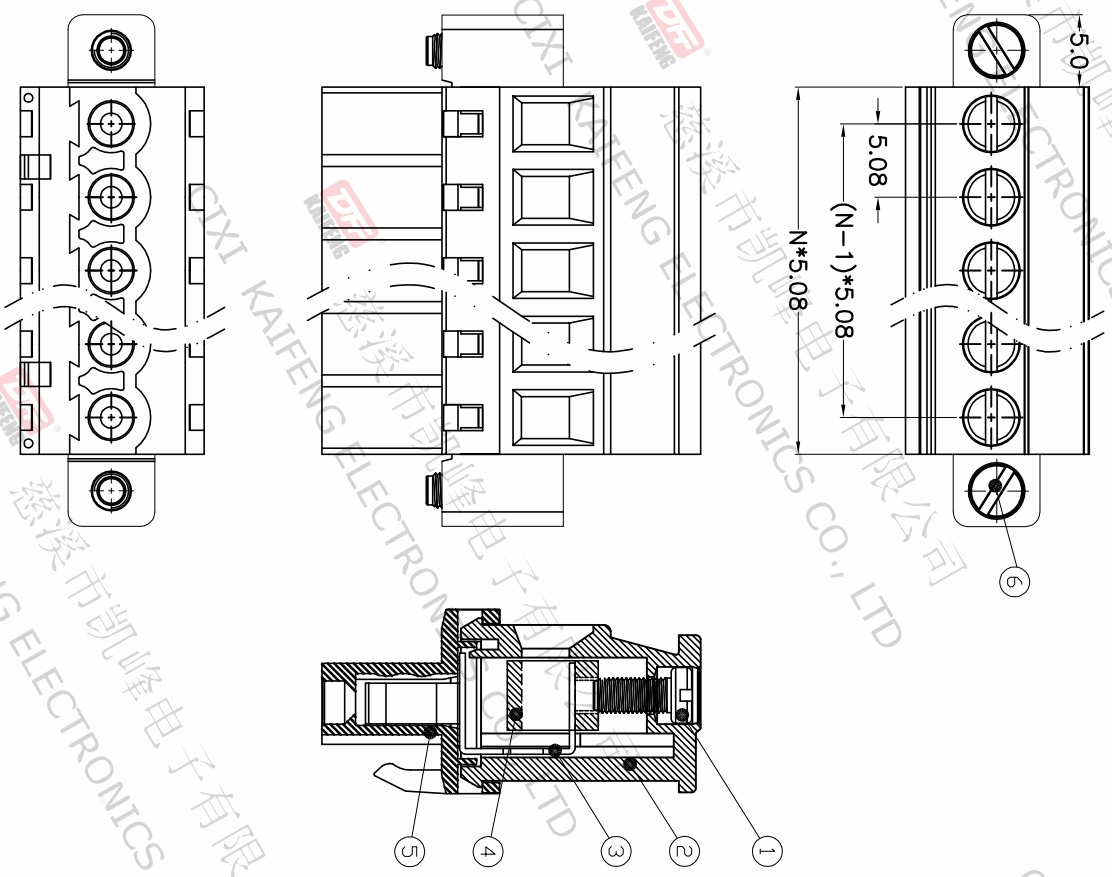
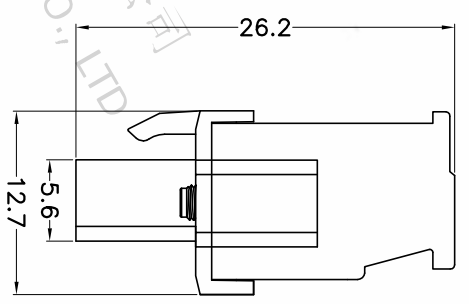
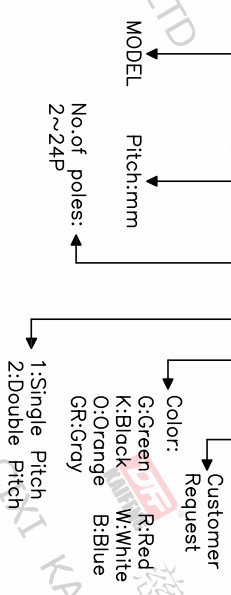
REV.	DESCRIPTION	DATE	DRAFTER	APPROVER
A1	DWG.REL	2020.5.23	ZHANG	JIN

- Material  
 @Screw : M3.0 steel, Zinc plated, \*-\* slot type  
 @Housing : PA66, UL94V-0  
 @Contact : Copper alloy, Tin plated  
 @Clamp : Copper alloy, Ni plated  
 @Cover : PA66, UL94V-0  
 @Screw : M2.5 steel, Zinc plated, \*-\* slot type

- Electrical  
 UL IEC  
 Rated voltage : 300V 320V  
 Rated current : 15A 18A  
 Contact resistance : 20mΩ(Max)  
 Insulation resistance : 500MΩ/DC500V  
 Withstanding Voltage : AC2000V/1min  
 Wire range : 28-12AWG 2.5mm<sup>2</sup>

- Mechanical  
 Operating temperature: -40°C~+105°C  
 Soldering temperature: 250°C ±5/5sec  
 Torque: 0.5N.m (4.43Lb.in)  
 Strip length: 7-8mm

• RoHS compliance  
 HOW TO ORDER  
 KF2EDGKBM-5.08-XXP-1 X-XXXXX



Pitch range	Nominal dimension range	PROJECTION
>0	>0	0.1/10
~6	~30	UNIT
~10	~60	mm
~24	~100	SHEET SIZE
~30	~150	A4
±0.15	±0.30	SERIES
±0.20	±0.50	KF2EDGKBM
±0.30	±0.70	TITLE
±1.00	±1.30	KF2EDGKBM-5.08-XXP-1X
±2*		

DRAWING TYPE	CUSTOMER DRAWING
SCALE	1:1
SHEET	1 OF 1
DRAWING NO.	W10000352

**DF** 慈溪市凯峰电子有限公司  
 CIXI KAIFENG ELECTRONICS CO.,LTD