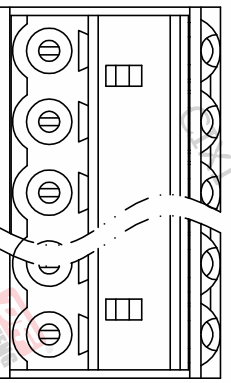
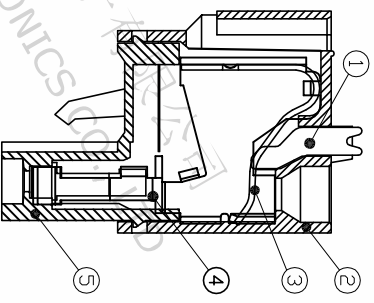
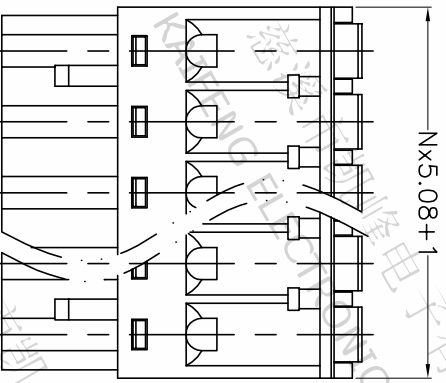
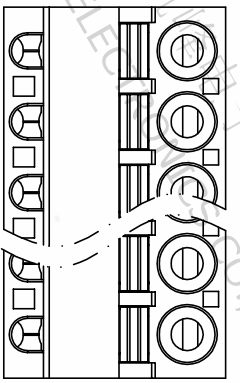
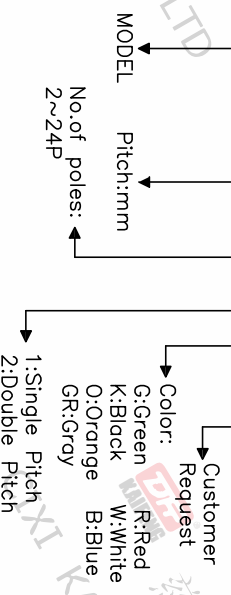


REV.	DESCRIPTION	DATE	DRAFTER	APPROVER
A1	DWG.REL	2020.5.30	ZHANG	JIN



- Material
 - ①Button : PA66, UL94V-0
 - ②Housing : PA66, UL94V-0
 - ③Reed : Stainless steel
 - ④Contact : Copper alloy, Tin plated
 - ⑤Cover : PA66, UL94V-0
- Electrical
 - UL IEC
 - Rated voltage : 300V 320V
 - Rated current : 15A 20A
 - Contact resistance : 20mΩ(Max)
 - Insulation resistance: 500MΩ/DC500V
 - Withstanding Voltage : AC2000V/1min
 - Wire range: 28-14AWG 2.5mm²
- Mechanical
 - Operating temperature: -40°C ~ +105°C
 - Soldering temperature: 250°C ±5/5sec
 - Strip length: 10-11mm
- RoHS compliance

HOW TO ORDER
KF2EDGKD-5.08-XXP-1 X-XXXXX



Pitch range	Nominal dimension range	PROJECTION
>0	>0	0.1/10
~6	>30	~
~10	>60	<
~24	100	<
~30	150	<
±0.15	±0.30	±2°
±0.20	±0.50	
±0.30	±0.70	
±1.00	±1.30	

DRAWING TYPE	CUSTOMER DRAWING
SCALE	1:1
SHEET	1 OF 1
DRAWING NO.	W10000462

PROJECTION	TITLE
UNIT	KF2EDGKD-5.08-XXP-1X
SHEET SIZE	A4
SERIES	KF2EDGKD

DFE 慈溪市凯峰电子有限公司
CIXI KAIFENG ELECTRONICS CO.,LTD